

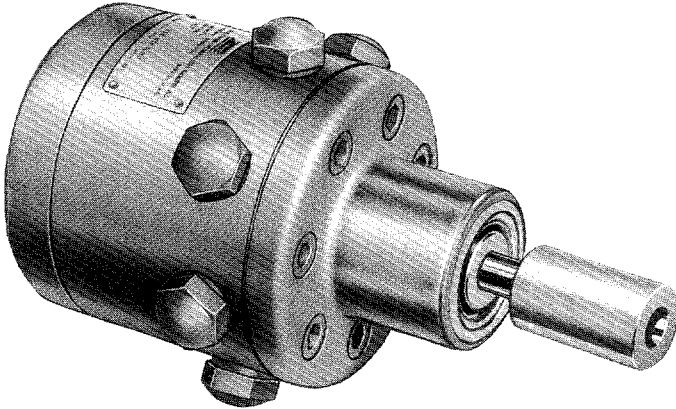


BOSCH

REPAIR PARTS

RADIAL PISTON PUMP

MODEL 20

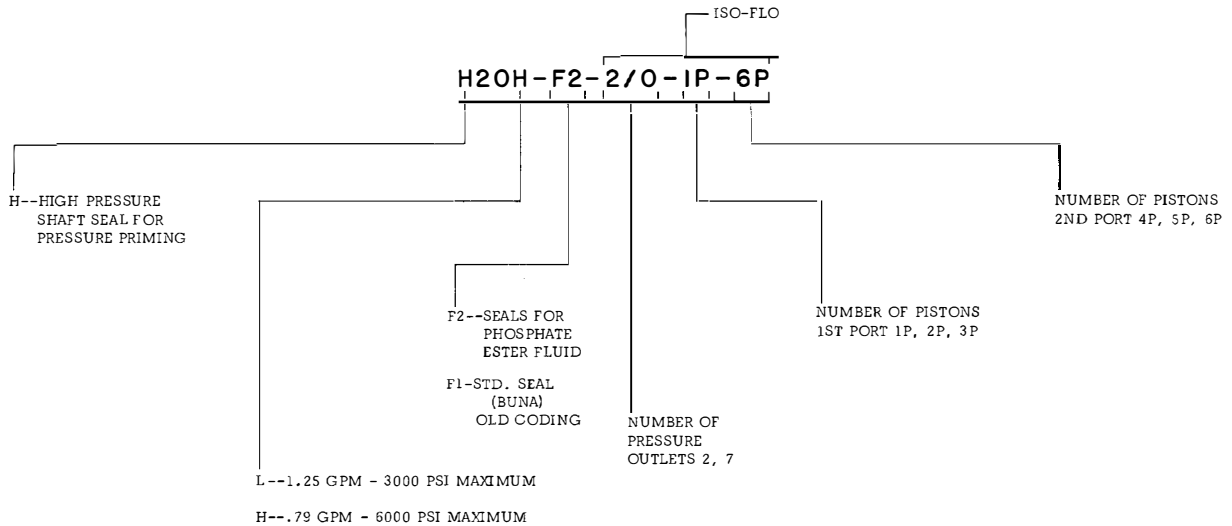


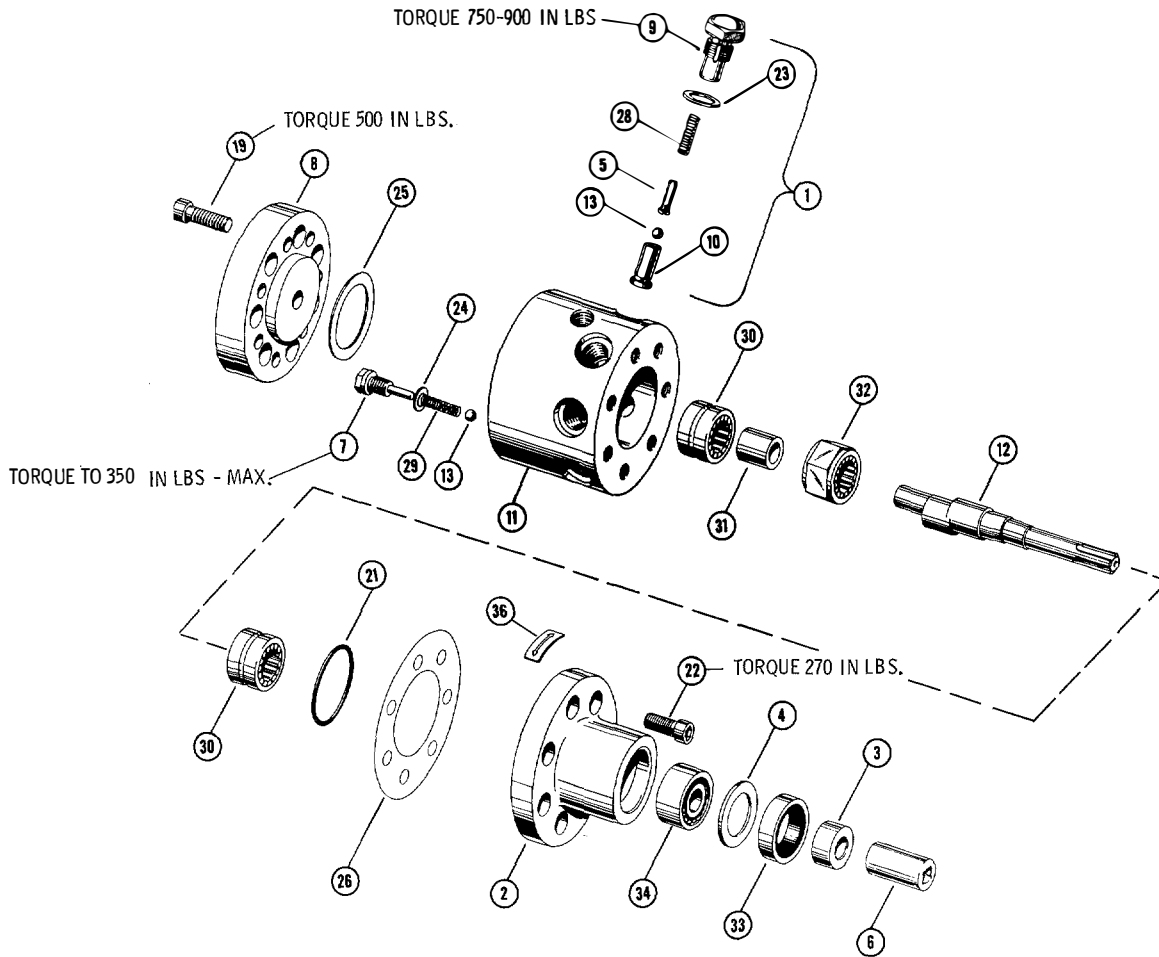
WHEN ORDERING PARTS, FURNISH:

1. COMPLETE CODE NUMBER
2. PARTS REQUIRED
3. SHIPPING INSTRUCTIONS

WRITE FACTORY FOR NEAREST AUTHORIZED PARTS AND SERVICE CENTER.

PUMP CODING



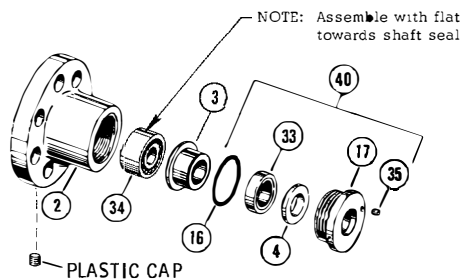


Ref. No.	Part No.	Description	Qty.
1	750013	Piston Assembly	7
2	250009	Motor End Cover	1
3	350025	Oil Seal Shaft Collar	1
4	350026	Bearing Retainer	1
5	350023	Inlet Check Ball Stop	7
6	350024	Splined Coupling	1
7	350027	Outlet Check Ball Stop	7
8	350161	Hydro End Cover	1
9	777191	Sleeve & Piston Assembly (sold as an assembly)	7
10	750052	Pump Body & Inlet Cage Assembly	1
11	721185	Body, ISO Flow	1
12	350164	Eccentric Shaft 20L	1
12	350165	Eccentric Shaft 20H	1
13	401065	Steel Ball	14
19	405237	Screw 3/8-24 x 1"	7
21	406712	O-Ring, 3/32 x 1-11/16 x 1-7/8 Viton	1

Ref. No.	Part No.	Description	Qty.
22	490024	Screw 3/8-24 x 3/4"	7
23	490071	Copper Gasket	7
24	490072	Copper Gasket	7
25	490073	Fiber Gasket	1
26	490995	Gasket	1
28	490165	Spring - Cam Follower	7
29	490166	Spring - Outlet Check	7
30	490167	Roller Bearing	2
31	490170	Inner Race	1
32	490286	Eccentric Roller Bearing	1
33	408900	Seal Buna	1
33	490545	Seal Viton	1
34	490168	Ball Bearing	1
36	405992	Rotation Plate	1
37	400928	Pipe Plug, (Not Shown)	1
38	400925	Pipe Plug, ISO Flow, (Not Shown)	1

OPTION

HIGH PRESSURE SEAL



Ref. No.	Part No.	Description	Qty.
2	250014	Motor End Cover	1
3	350302	Oil Seal Shaft Collar	1
4	378575	Seal Washer	1
16	406576	O-Ring, 1/8 x 1-3/8 x 1-5/8 Viton	1
17	350100	H.P. Gland Cap	1
33	491442	Seal Viton	1
34	490206	Ball Bearing	1
35	490045	Set Screw	1
40	722352	Viton Seal Assembly	1

9 535 233 233

HPUS RSB 002/7 US (2.96)

ROBERT BOSCH FLUID POWER CORPORATION
P.O. BOX 2025
RACINE, WISCONSIN 53401-2025 U.S.A.
Phone (414)554-7100, Fax (414)554-7117

Printed in USA



BOSCH