

Find it at



**PRECISION**  
**FLUID POWER, INC.**  
Hydraulic Sales & Repair  
800-728-5168 PrecisionFluidPower.com



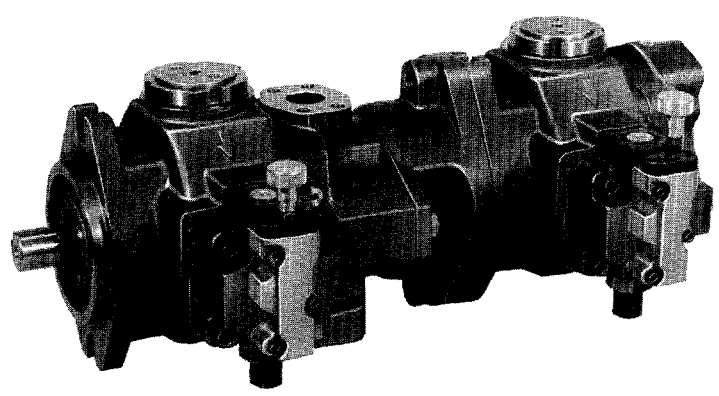
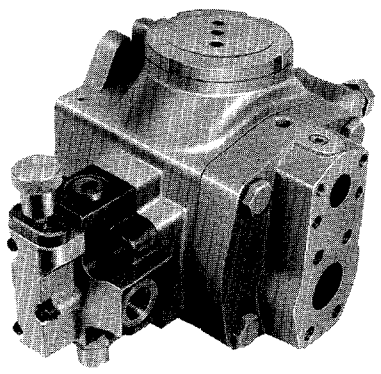
# BOSCH

## REPAIR PARTS

### VARIABLE VOLUME SILENTVANE PUMP MODEL SV-40

**2000 PSI**  
**30 GPM**

**FLANGE MOUNTED**  
**COMBINATION CAPABILITY**



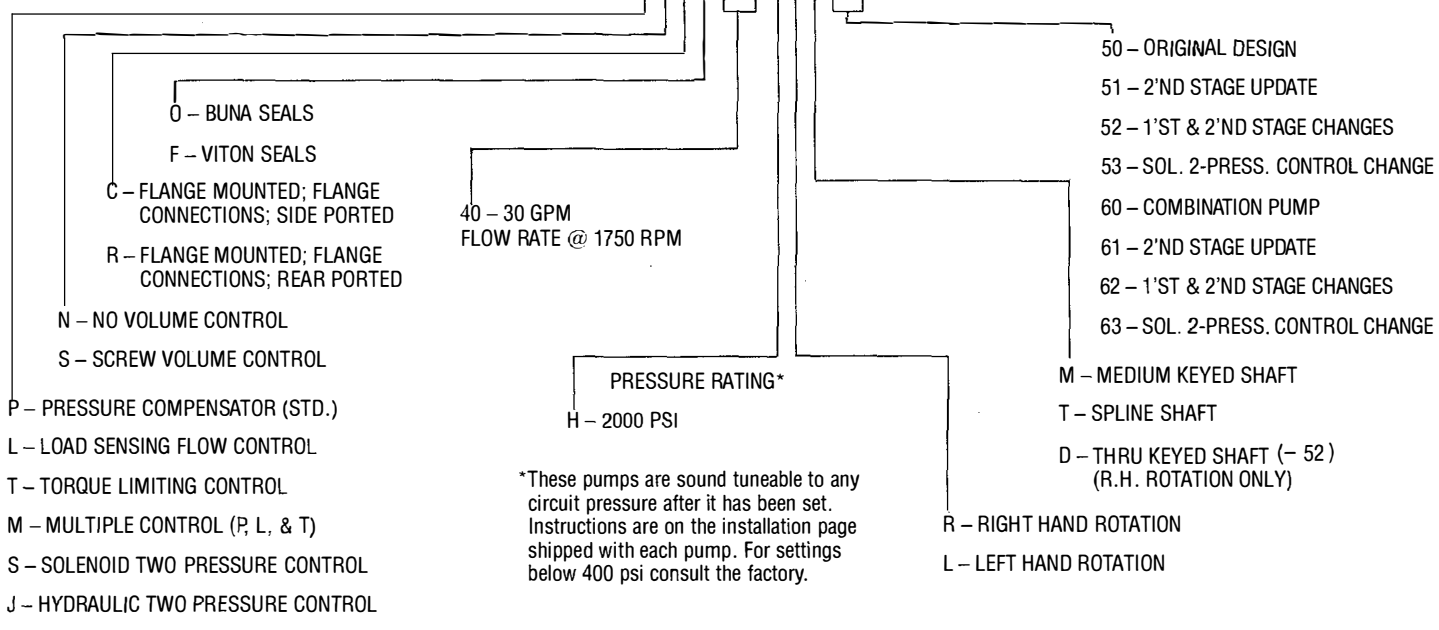
WHEN ORDERING PARTS, FURNISH:

1. COMPLETE CODE NUMBER
2. PARTS REQUIRED
3. SHIPPING INSTRUCTIONS

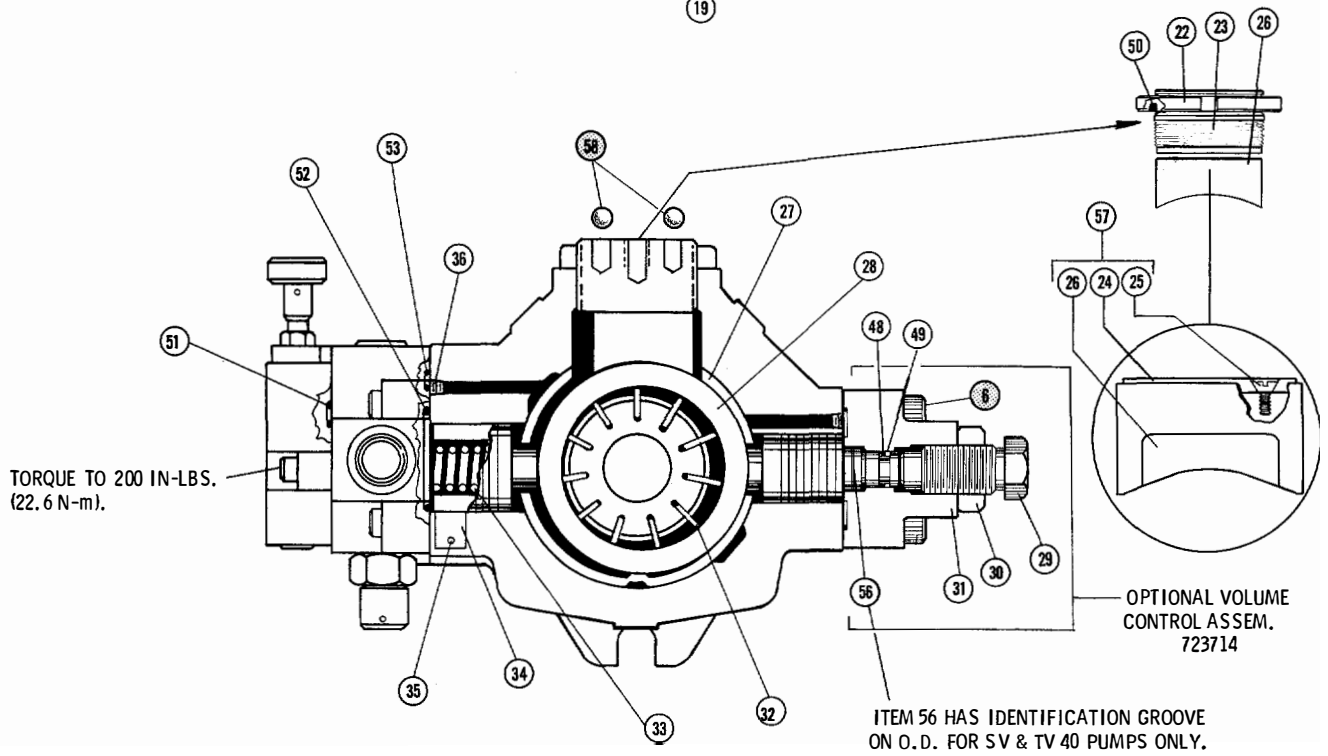
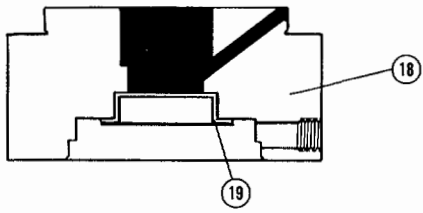
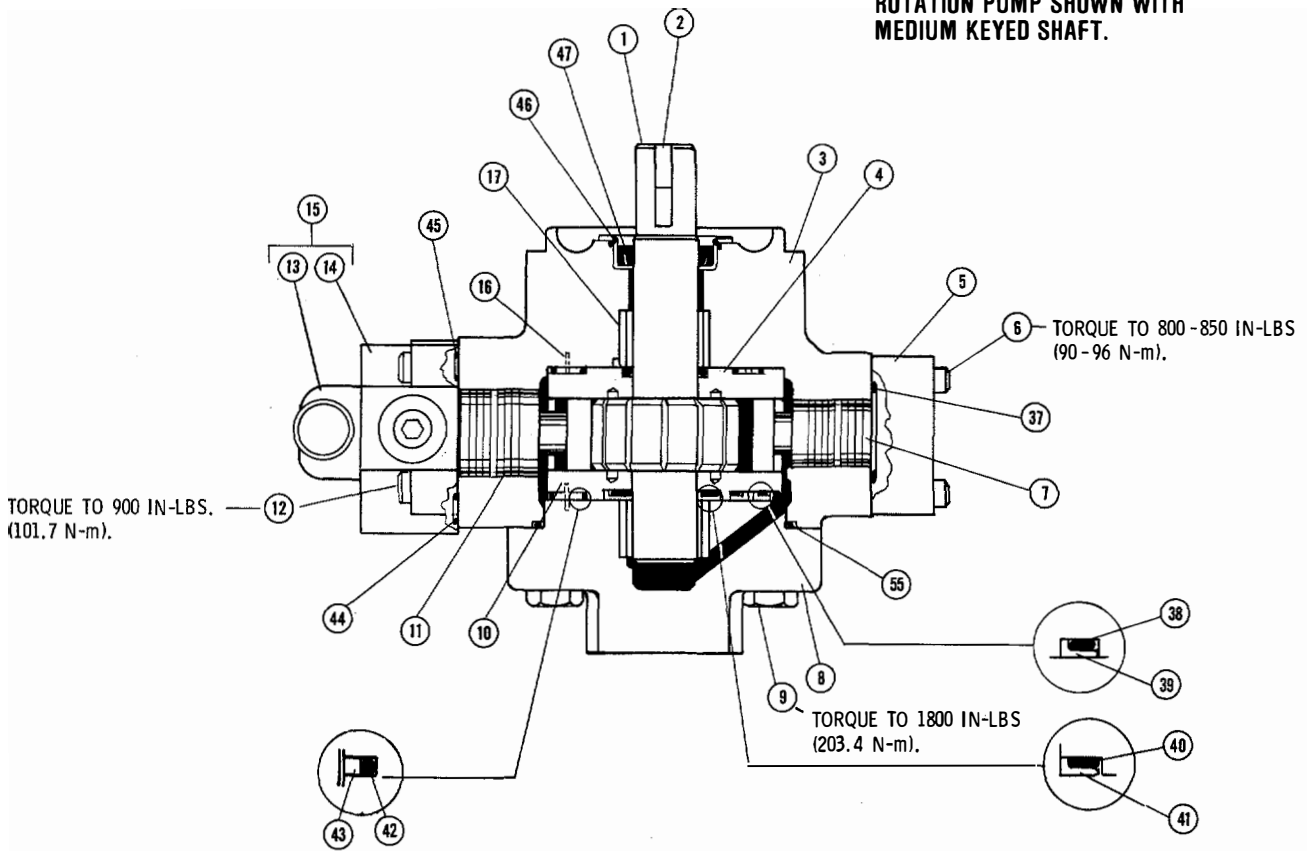
WRITE FACTORY FOR NEAREST AUTHORIZED PARTS AND SERVICE CENTER.

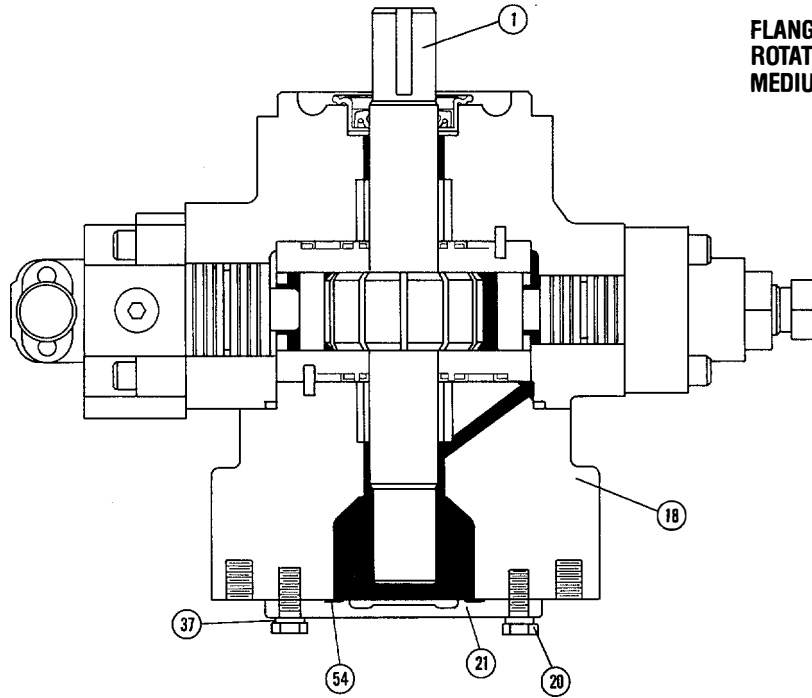
### PUMP CODING

PSV-PNCO-40 HRM-52



FLANGE MOUNTED, RIGHT HAND  
ROTATION PUMP SHOWN WITH  
MEDIUM KEYED SHAFT.





**FLANGE MOUNTED, RIGHT HAND ROTATION PUMP SHOWN WITH MEDIUM COMBINATION SHAFT.**

**ADAPTOR/COUPLING SYSTEM**

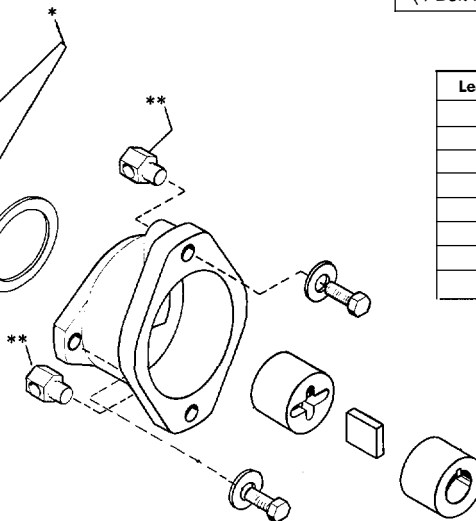
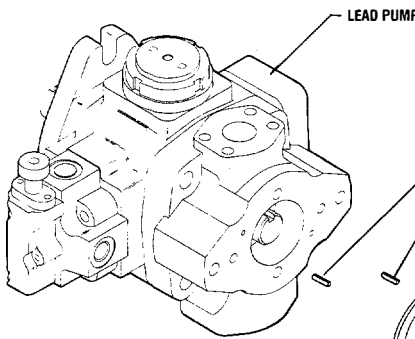
THE DISTANCE FROM THE PUMP MOUNTING FLANGE TO THE CENTER OF THE PORT, INCREASED BY 3/8" (SV-40).

**PORT CHANGES  
DASH-50 VERSUS DASH-60 DESIGNS**

PUMP MODEL (Port Type)	DASH-50 DESIGN		DASH-60 DESIGN	
	INLET	OUTLET	INLET	OUTLET
SV-40 (4-Bolt Flange)	1-1/2"	1"	2"	1-1/4"

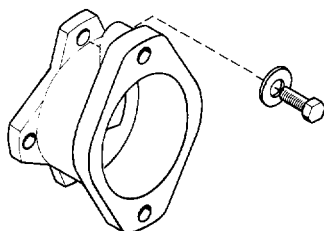
**Adaptor Kits**

Lead Pump	Trailing Pump	List #
SV40	SV10/15, TV15, PSQ	956109
SV40	SV20/25, TV25	956110
SV40	SV40	956106
SV40	EO55	956183
SV40	20L, 20H	956184
SV40	80L, 80M, 80H	956185
SV40	BOSCH "F" Gear	956309
SV40	BOSCH RKP "1in"	956319



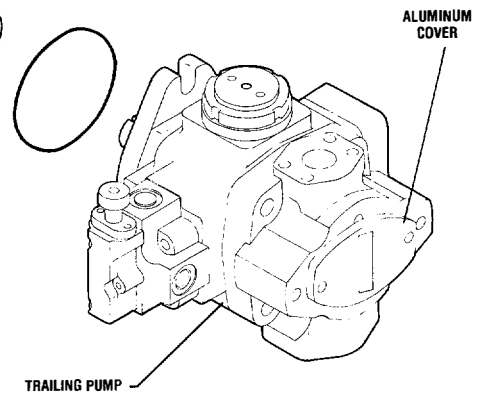
ASSEMBLE WITH DRIVE TANG AS SHOWN

**FOR COMPLETE ADAPTOR KITS AND APPLICABLE PART NUMBERS, PLEASE REFER TO REPAIR PARTS BULLETIN 14.60**



When the Trailing Pump is an SV-40, 80, or 100, the adaptor has two additional mounting holes (total of four).

**NOTE:** Coupling system is a "Wet Design". The lead pump does not have a rear shaft seal. This allows the adaptor to fill with fluid to lubricate and cool the coupling.



**\*\*NOTE:** When the weight of the trailing pump(s) exceeds 65 lbs., this part must be used.  
**\*\*NOTE:** Roll pins should be pressed into pump prior to assembly.

Ref. No.	Part No.	Description	Qty.
1	308513	Rotor Shaft, Keyed	1
1	308564	Rotor Shaft, Thru (- 52)	1
1	308563	Rotor Shaft, Splined	1
1	308987	Rotor Shaft, Combination Keyed (- 62)	1
2	491043	Key	1/2
3	222827	Body, R.H. Rotation	1
3	222826	Body, L.H. Rotation	1
4	222690	Port Plate, R.H. Body, L.H. Cover	1
5	222601	Bias Cover	1
6	408892	Screw, 7/16-14 x 2	4
7	308508	Bias Piston	1
8	222828	Cover, Rear Ported (- 52)	1
8	222936	Cover, Rear Ported (- 62)	1
9	400758	Screw, 5/8-11 x 2-1/4	4/2
9	400765	Screw, 5/8-11 x 3-1/2 (Side Ported) - 52 only	2
10	222692	Port Plate, R.H. Cover, L.H. Body	1
11	308507	Control Piston	1
12	406309	Screw, 7/16-14 x 1-3/4	4
13	956119	2'nd Stage Compensator Assy.	1
14	—	1'st Stage Compensator Assy.	1
15	956132	Standard 2 Stage Compensator	1
16	401717	Roll Pin	4
17	778041	Bearing Assembly	2
18	222830	Cover, Side Ports - Thru Shaft (- 52)	1
18	222981	Cover, Side Ports (- 62)	1

Ref. No.	Part No.	Description	Qty.
19	491876	Plug	1
19	794289	Plug Assembly (W/O-Ring)	1
20	400721	Screw, 3/8-16 x 7/8	2
21	222975	End Cover	1
22	309062	Lock Nut	1
23	309060	Stationary Block	1
24	309061	SSI Material Disc	1
25	401215	Screw	2
26	778635	Thrust Block	1
27	308780	Spacer Ring	1
28	308511	Pressure Ring	1
29	308412	Adjustment Screw	1
30	401019	Jam Nut	1
31	222600	Body	1
32	778278	Vane Set (308509 - 11 pcs)	1
33	490977	Spring	1
34	491854	Name Plate	1
35	492114	Rivet	2
36	400925	Pipe Plug, 1/16 NPTF	4
56	308506	Piston	1
57	778463	Thrust Block Assembly	1
58	492143	Acetal Ball	2

## SEAL KITS

### VITON SEALS

Ref. No.	Part No.	Description	Qty.
37	406130	O-Ring, 3/32 x 2-5/16 x 2-1/2	1
38	406703	O-Ring, 1/8 x 4-1/8 x 4-3/8	2
39	491386	Back-Up Ring	2
40	406513	O-Ring, 3/32 x 1-9/16 x 1-3/4	2
41	491385	Back-Up Ring	2
42	491257	O-Ring, 3/32 x 2-1/8 x 2-5/16	2
43	491047	Back-Up Ring	2
44	406565	O-Ring, 1/16 x 7/16 x 9/16	1
45	406265	O-Ring, 1/16 x 3/16 x 5/16	1
46	405422	O-Ring, 1/16 x 2-1/8 x 2-1/4	1/2
47	723650	Shaft Seal Assembly	1/2
48	406518	O-Ring, 3/32 x 9/16 x 3/4	2
49	491354	Back-Up Ring	1
50	405070	O-Ring, 1/8 x 2-3/8 x 2-5/8	1
51	406797	O-Ring, 1/16 x 5/16 x 7/16	3
52	406800	O-Ring, 3/32 x 2-3/16 x 2-3/8	1
53	406636	O-Ring, 3/32 x 3/8 x 9/16	1
54	492568	Gasket	1
55	407150	O-Ring, 1/8 x 5-1/4 x 5-1/2	1

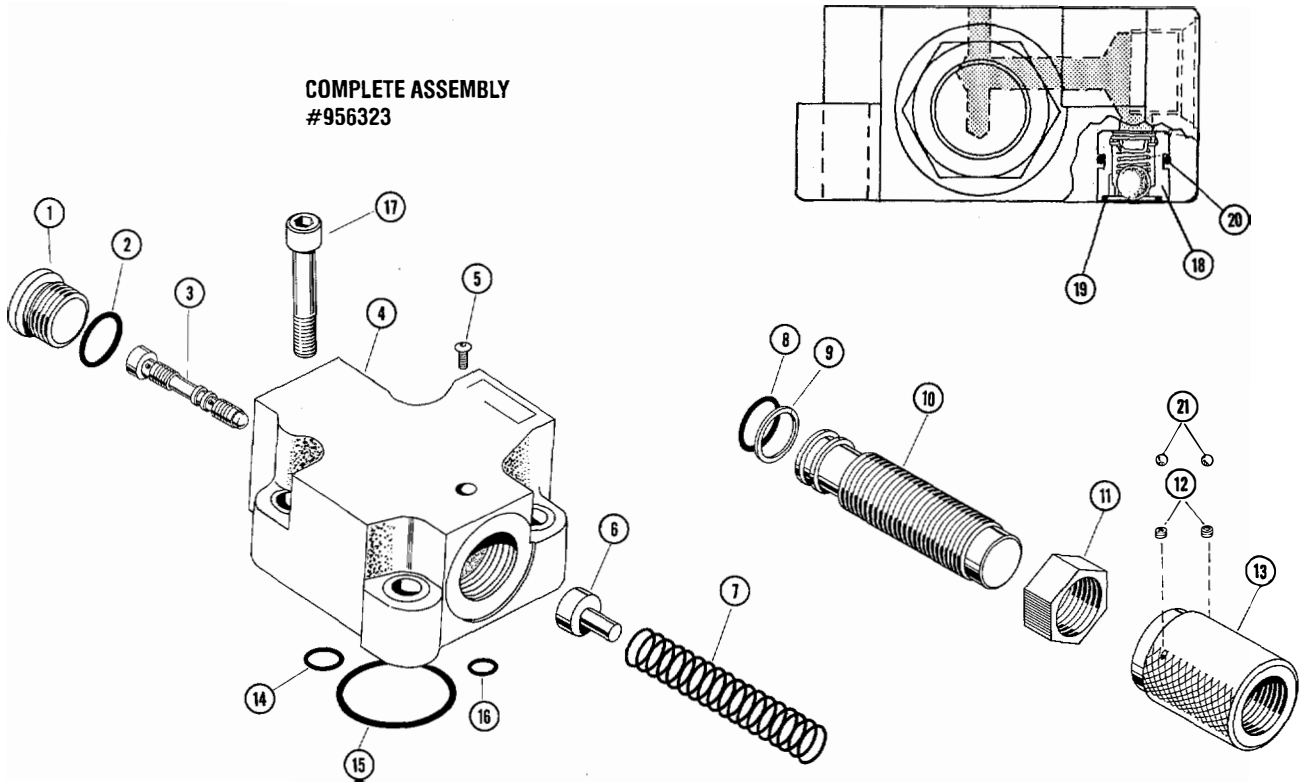
Viton Seal Kits:  
 Single End Shaft & Combination ..... 723731  
 Double End Shaft ..... 794117

## REPAIR KITS

Description	Kit No.
Single End Shaft Viton	794121
Splined Shaft Viton	794123
Double End Shaft Viton (- 52)	794125
Combination Shaft Viton (- 62)	794403

Each kit contains two bearings, one rotor, one set of vanes, one pressure ring, four roll pins, one or two keys, one Seal Kit and two port plates.

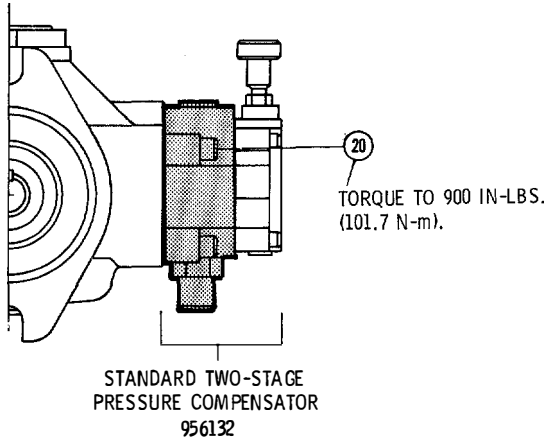
**COMPLETE ASSEMBLY  
#956323**



Ref.	List	Description	Qty.
1.	491832	#8 SAE Hollow Plug	1
2.	407139	O-Ring (-908) Viton	1
3.	309298	Spool	1
4.	22311	Body	1
5.	457603	Screw #8-32UNCX.25	1
6.	309299	Spring Seat	1
7.	457642	Spring	1
8.	406707	O-Ring -020 Viton	1
9.	457626	Back-up Ring	1
10.	309300	Adj. Barrel	1
11.	309301	Locknut	1

Ref.	List	Description	Qty.
12.	457688	Set Screw 1/4-20x1/8	2
13.	309302	Stop Nut & Knob	1
14.	406636	O-Ring -010 Viton	1
15.	406800	O-Ring -110 Viton	1
16.	406265	O-Ring -008 Viton	2
17.	406309	Mounting Bolts	4
18.	778413	Drain Check Ass.	1
19.	406215	O-Ring -014 Viton	1
20.	406518	O-Ring -113 Viton	2
21.	457689	Acetal Ball Ø 9/64	2

# STANDARD TWO-STAGE COMPENSATOR—FIRST STAGE

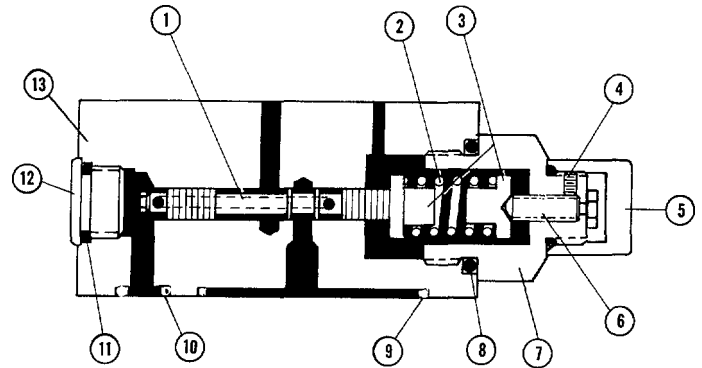


NOTE: THE FIRST STAGE CANNOT  
BE PURCHASED WITHOUT  
THE SECOND STAGE.

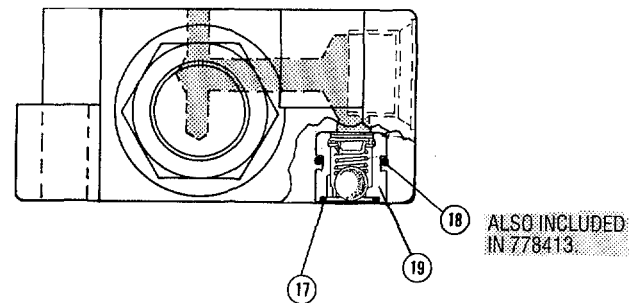
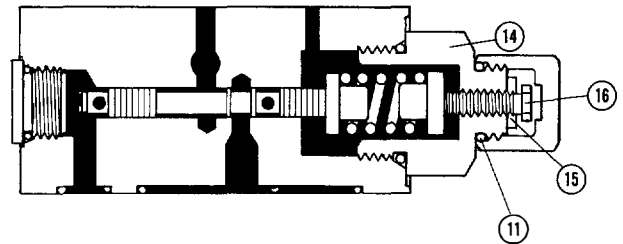
Ref. No.	Part No.	Description	Qty.
1	308747	Spool	1
2	491833	Spring	1
3	308744	Spring Seal	2
4	308637	Set Screw <del>51-61 Void</del>	1
5	308936	Safety Cap	1
6	308734	Adjusting Screw <del>51-161 Void</del>	1
7	308746	Adaptor <del>51-81 Void</del>	1
8	407102	O-Ring, #14 SAE (-914)	1
* 9	406800	O-Ring, 3/32 x 2-3/16 x 2-3/8	1
* 10	406636	O-Ring, 3/32 x 5/16 x 7/16	1
* 11	407139	O-Ring, #8 SAE (-908)	2
12	491832	Plug, #8 SAE	1
13	223053	1'st Stage Body	1
14	309053	Adaptor	1
15	309049	Jam Nut	1
16	<del>778459</del>	Adjusting Screw w/Lock Nut	1
* 17	406215	O-Ring, 1/16 x 1/2 x 5/8	1
18	406518	O-Ring, 3/32 x 9/16 x 3/4	1
19	778413	Drain Check Assembly	1
20	406309	Screw, 7/16-14 x 1-3/4	4

\* Included in Seal Kit 723731

- 51 DESIGN  
- 61 DESIGN

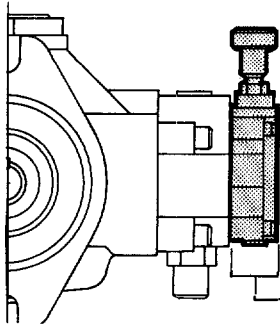


- 52 DESIGN  
- 62 DESIGN



# STANDARD TWO-STAGE COMPENSATOR — SECOND STAGE

- 50 DESIGN

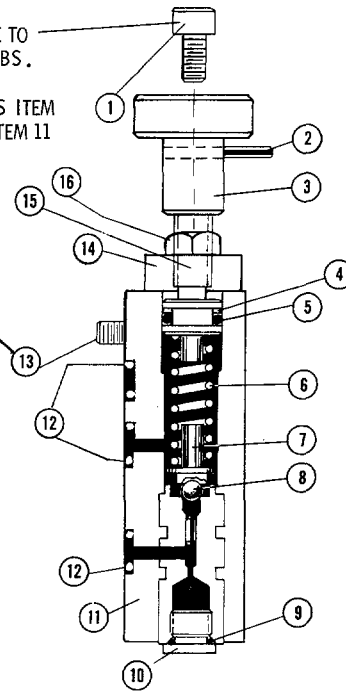


NOTE: RIGHT HAND ROTATION SHOWN.

STANDARD SECOND STAGE  
PRESSURE COMPENSATOR.  
956119

TORQUE TO  
50 IN-LBS.  
(6 N-m)  
MOUNTS ITEM  
14 TO ITEM 11

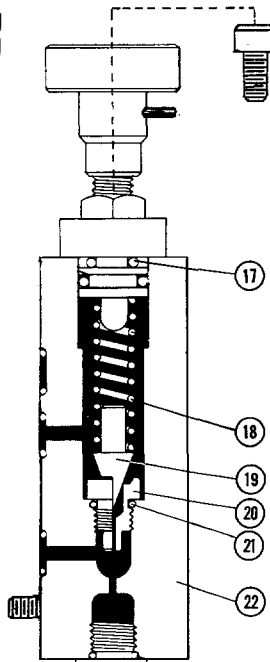
TORQUE TO 200 IN - LBS.  
(23 N-m )



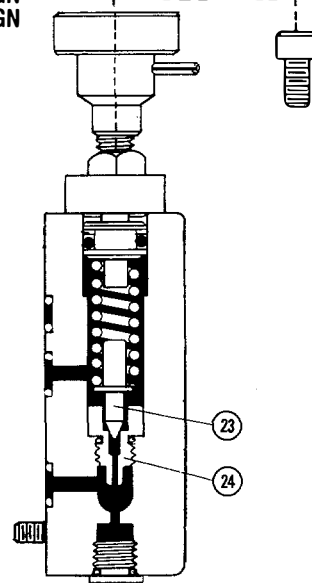
Ref. No.	Part No.	Description	Qty.
1	402396	Screw, #10-24 x 1/2	2
2	401714	Roll Pin	1
3	308730	Knob	1
* 4	490418	Back-Up Ring	1
* 5	406579	O-Ring, 3/32 x 7/16 x 5/8	1
6	406239	Spring Void	1
7	308861	Spring Seat Void	1
8	492209	Tungsten Carbide Ball Void	1
* 9	407141	O-Ring, #4 SAE (-904)	1
10	490708	Plug, #4 SAE	1
11	778313	Body Assembly (-50) Void	1
* 12	406797	O-Ring, 1/16 x 5/16 x 7/16	3
13	400779	Screw, 1/4-20 x 1-1/4	3
14	221777	Retaining Cap	1
15	309028	Adjusting Screw	1
16	401011	Lock Nut	1
* 17	492455	O-Ring, 3/32 x 5/16 x 1/2 (-51/61) Void	1
18	407846	Spring (-51/52 & -61/62)	1
19	307161	Poppet (-51/61 Only) Void	1
20	308012	Seat (-51/61 Only) Void	1
* 21	407123	O-Ring, #3 SAE (-903)	1
22	222962	Body (-51/52 & -61/62)	1
23	309057	Poppet (-52/62 Only)	1
24	778462	(-52/62 Only) Seat w/O-Ring	1

\* Included in Seal Kit 723731

- 51 DESIGN  
- 61 DESIGN



- 52 DESIGN  
- 62 DESIGN



9 535 233 245  
HPUS RSB 003/18 US (10.95)

---

ROBERT BOSCH FLUID POWER CORPORATION  
P.O. BOX 2025  
RACINE, WISCONSIN 53401-2025 U.S.A.  
Phone (414)554-7100, Fax (414)554-7117



**BOSCH**

PRINTED IN U.S.A.