

Find it at



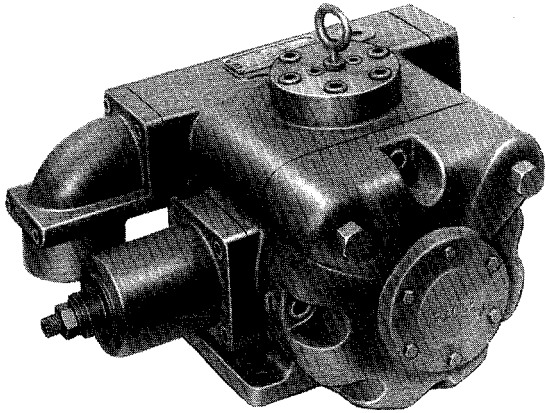
**PRECISION
FLUID POWER, INC.**
Hydraulic Sales & Repair
800-728-5168 PrecisionFluidPower.com



BOSCH

REPAIR PARTS

MODEL PVK VARIABLE VOLUME VANE TYPE PUMP FOOT MOUNTED



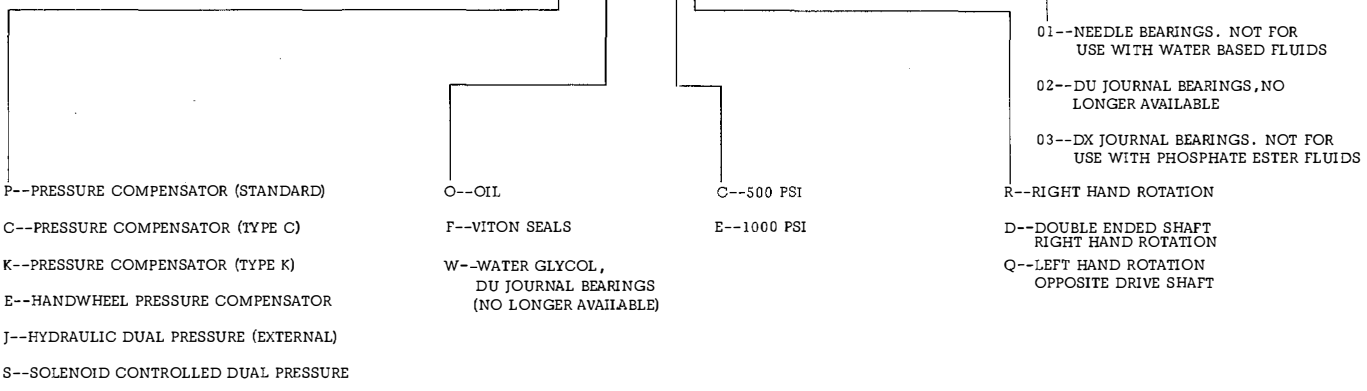
WHEN ORDERING PARTS, FURNISH:

1. COMPLETE CODE NUMBER
2. PARTS REQUIRED
3. SHIPPING INSTRUCTIONS

WRITE FACTORY FOR NEAREST AUTHORIZED PARTS AND SERVICE CENTER.

PUMP CODING

PVK-PSFO-7OER-OI



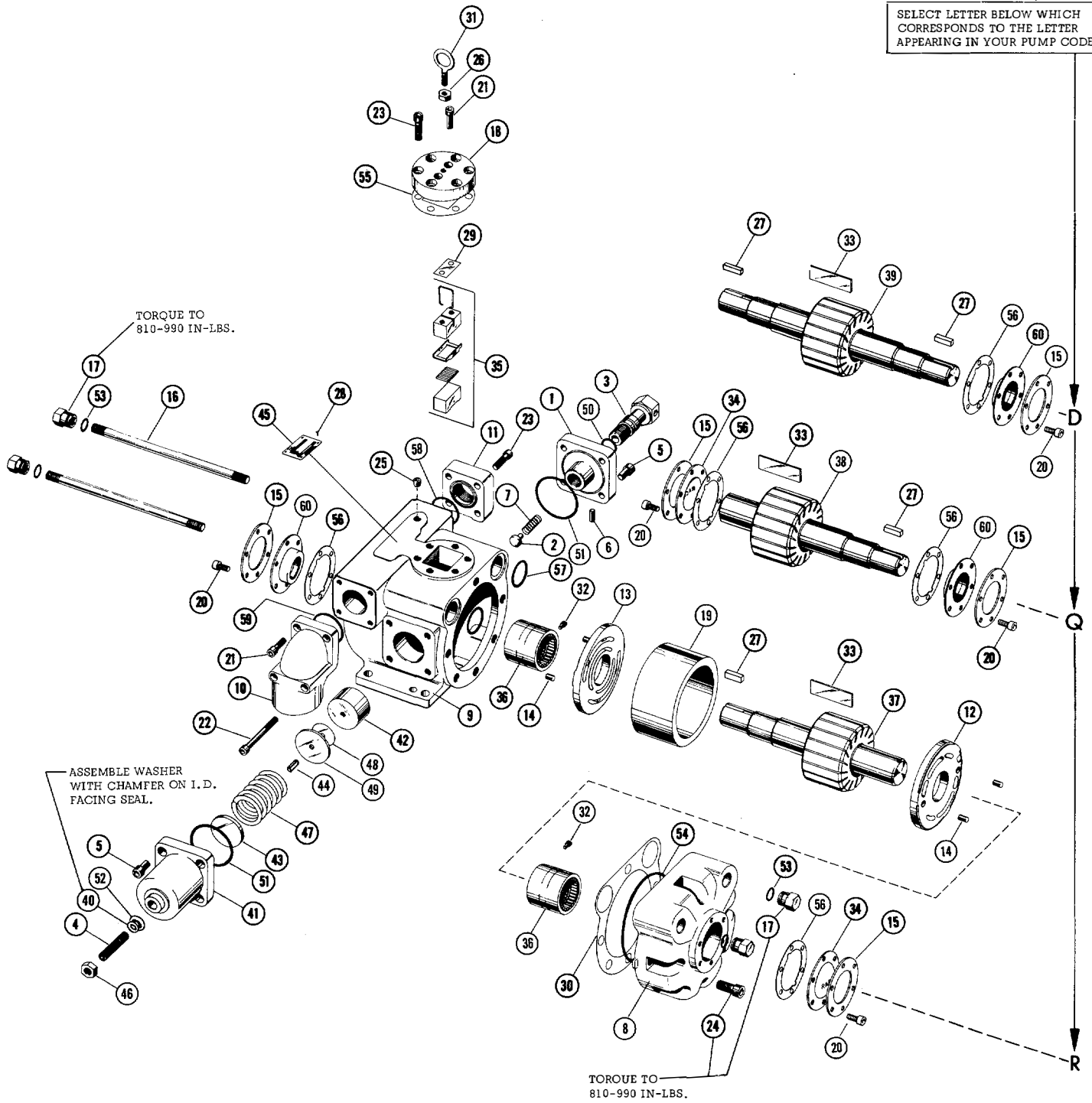
PVK-PSFO-70** - 01

ABOVE STANDARD COMPENSATOR APPEARS ON THIS PAGE. FOR ADDITIONAL COMPENSATORS SEE OPTION PAGE.

C E R Q D

SEE MAIN PARTS LIST FOR AVAILABLE SPRINGS (REFERENCE #47)

SELECT LETTER BELOW WHICH CORRESPONDS TO THE LETTER APPEARING IN YOUR PUMP CODE.



Ref. No.	Part No.	Description	Qty.
1	221215	Cap	1
2	301173	Button	1
3	305141	Screw	1
4	404908	Screw	1
5	400826	Screw 1/2-13 x 1	8
6	400866	Screw	1
7	401524	Spring	1
8	220977	Cover	1
9	221650	Body	1
10	265048	Flange	1
**10	265050	Flange - Straight Inlet	1
11	265049	Flange	1
12	777751	Cover Port Plate	1
13	777625	Body Port Plate	1
14	301142	Pin	4
15	403743	Washer	2
16	302703	Stud	2
17	302708	Nut	4
18	303490	Cap	1
19	305004	Ring	1
20	400682	Screw 1/4-20 x 5/8	12
21	400808	Screw 3/8-16 x 1	4
21	400809	Screw 3/8-16 x 1-1/2 (Use with straight inlet flange)	4
22	400819	Screw 3/8-16 x 5	2
23	400825	Screw 1/2-13 x 1-1/4	10
24	400837	Screw 5/8-11 x 1-1/4	6
25	400928	Plug 1/4 N. P. T. F.	1
26	401024	Nut 3/8-16	1
27	404405	Key (2 Req'd on Double Ended Pump)	2/1
28	401296	Pin	4
29	401819	Shim .003"	As Req'd
29	401820	Shim .005"	As Req'd
29	401821	Shim .010"	As Req'd

Ref. No.	Part No.	Description	Qty.
30	401822	Shim .001"	As Req'd
30	401823	Shim .0015"	As Req'd
30	401824	Shim .002"	As Req'd
30	401825	Shim .003"	As Req'd
31	401873	Eyebolt	1
32	404081	Screw 1/4-28 x 1/4	2
33	778275	Vanes (Set of 17)	1
34	405987	Cap	1
35	777057	Thrust Block	1
36	794410	Needle Bearing	2
36	778536	Journal Bearing - Body	1
36	778537	Journal Bearing - Cover	1
37	305067	Forging - RH Rotation	1
38	305160	Forging - LH Rotation	1
39	305163	Forging - Double Ended	1
40	491405	Washer	1
41	220516	Housing	1
41	220518	Housing (Use with K Spring)	1
42	306615	Piston	1
43	400578	Seat	1
44	401724	Roll Pin	1
45	406778	Nameplate	1
46	401015	Nut	1
47	401590	Spring - 1000 PSI	1
47	405137	Spring - 500 PSI	1
47	401589	Spring Type C	1
47	402262	Spring Type K	1
48	404073	Shim .002"	As Req'd
48	404074	Shim .003"	As Req'd
48	405379	Shim .005"	As Req'd
49	404786	Stop	1

PUMP SHIM KIT #794284
THRUST BLOCK SHIM KIT #794281

**Special "O" Ring used with straight inlet flange: 1/8 x 2-7/8 OD
#401280 Buna N; #406573 Viton 1 piece required.

VITON SEAL KIT 722396

KIT CONSISTS OF -

Ref. No.	Part No.	Description	Qty.
40	491405	Washer	1
50	406267	"O" Ring 1/8 x 1-1/4 OD	1
51	406510	"O" Ring 1/8 x 3-1/2 OD	2
52	491404	Thread Seal	1
53	406198	"O" Ring 1/8 x 1 OD	4
54	406517	"O" Ring 1/8 x 6-1/4 OD	1
55	401845	Gasket	1
56	401846	Gasket	2
57	406769	"O" Ring 1/8 x 2 OD	2
58	406770	"O" Ring 1/8 x 2-1/4 OD	1
59	406771	"O" Ring 1/8 x 2-1/2 OD	1
59	406573	"O" Ring for Straight Inlet	1
60	404227	Seal (2 Req'd on Double Ended Pump)	1

USED WITH SYNTHETIC (PHOSPHATE ESTER AND HALOGENATED BASE), MINERAL AND WATER BASED FLUIDS.

* REPAIR PARTS KITS

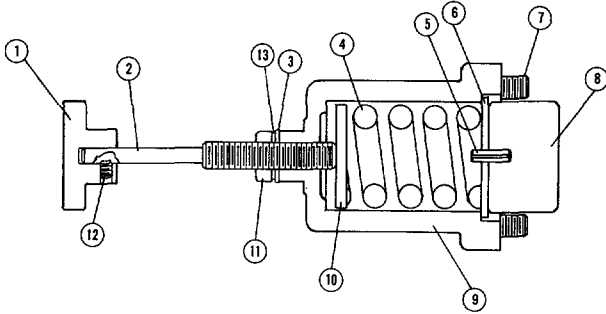
NEEDLE BEARINGS JOURNAL BEARINGS

SINGLE SHAFT-RIGHT HAND ROTATION-VITON SEALS----- No. 722491 -----723406
SINGLE SHAFT-LEFT HAND ROTATION-VITON SEALS----- No. 722493 -----723407
DOUBLE ENDED SHAFT-VITON SEALS----- No. 722765 -----723409

*Each kit contains the following parts:
One pressure ring, one set vanes, all shims, one body port plate, one cover port plate, two bearings, one thrust block assembly, one shaft and rotor, and one seal kit.

OPTIONS

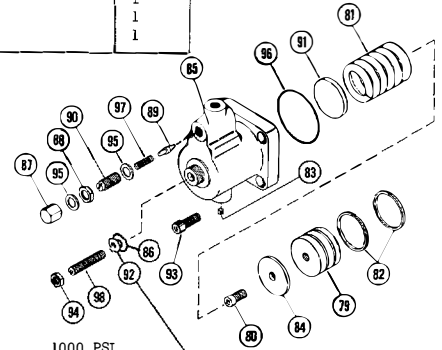
HANDWHEEL PRESSURE COMPENSATOR



Ref. No.	Part No.	Description	Qty.
1	404784	Handwheel	1
2	308600	Stem	1
3	491372	Washer	1
4	401590	Spring	1
5	401724	Roll Pin	1
6	404786	Stop	1
7	400826	Screw 1/2-13 x 1	4
8	306615	Piston	1
9	220516	Housing	1
10	400570	Spring Seat	1
11	401015	Stem Cap	1
12	400854	Screw 1/4-20 x 3/8	1
13	*491405	Washer	1
14	401281	O-Ring 1/8 x 3-1/2	1
14	406510	O-Ring - Viton	1

HYDRAULIC DUAL PRESSURE COMPENSATOR

Ref. No.	Part No.	Description	Qty.
79	306614	Piston	1
80	405857	Screw 5/16-18 x 5/8	1
81	401590	Spring	1
*82	403250	Ring	2
83	405420	Plug 1/16 NPTF	1
84	404786	Stop	1
85	220031	Housing	1
86	491498	Thread Seal Buna	1
*86	491499	Thread Seal Viton	1
87	301161	Cap	1
88	301162	Nut	1
89	305873	Poppet	1
90	305963	Screw	1
91	400578	Seat	1



COMPLETE ASSEMBLY

Seals	500 PSI	1000 PSI
Buna	722107	721243
Viton		722043

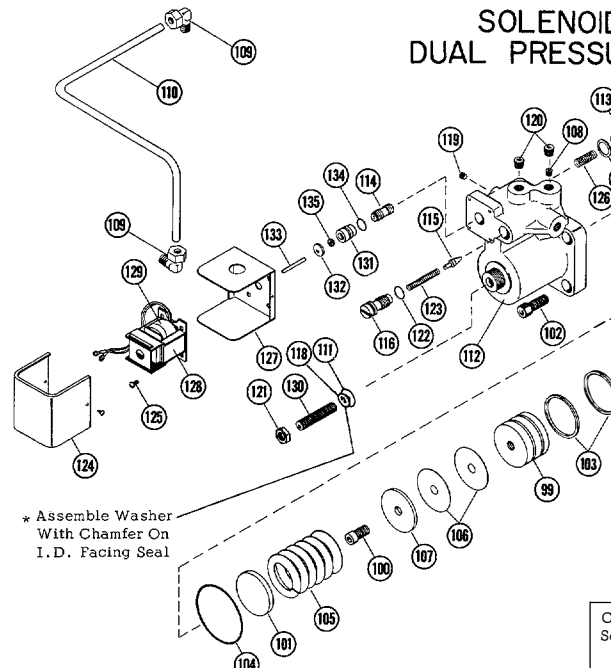
ASSEMBLE WASHER WITH CHAMFER ON I. D. FACING SEAL.

Ref. No.	Part No.	Description	Qty.
* 92	491500	Washer	1
93	400826	Screw 1/2 - 13 X 1	4
94	401013	Nut 1/2 - 20	1
* 95	401083	Gasket	2
96	401281	"O" Ring 1/8 X 3-1/2 OD	1
96	406510	"O" Ring (Viton)	1
97	401489	Spring	1
98	403476	Screw 1/2 - 20 X 2-1/2	1

*Included In Viton Kit 723667

Ref. No.	Part No.	Description	Qty.
99	306614	Piston	1
100	405857	Screw 5/16-18 x 1/2	1
101	400578	Seat	1
102	400826	Screw 1/2-13 x 1	4
*103	403250	Piston Ring	2
104	401281	"O" Ring 1/8 x 3-1/2 OD	1
104	406510	"O" Ring (Viton)	1
105	401590	Spring	1
106	404073	Shim .002"	As Req'd
106	404074	Shim .003"	As Req'd
107	404786	Stop	1
108	405420	Orifice Plug .040"	1
109	401751	Elbow	2
110	306626	Tubing	1
*111	491499	Viton Seal	1
111	491498	Thread Seal	1
112	220718	Housing	1
113	302310	Seat	1
114	304439	Piston	1
115	305873	Poppet	1
116	306647	Screw	1
*117	400247	Gasket	1
*118	491500	Washer	1
119	400925	Plug 1/16 N.P.T.F.	1
120	400928	Plug 1/4 N.P.T.F.	2
121	401013	Nut 1/2-20	1
122	401271	"O" Ring 3/32 x 3/4 OD	1
122	406518	"O" Ring (Viton)	1
123	401489	Spring	1
124	401800	Cover	1
125	402208	Screw #10-32 x 1/2	4
126	405445	Spring	1
127	402663	Base	1
128	Table #1	Solenoid	1
129	Table #1	Coil	1
130	403476	Screw 1/2-20 x 2-1/2	1
131	304639	Guide	1
132	304640	Retainer	1
133	304641	Pin	1
134	401277	"O" Ring 3/32 x 11/16 OD	1
134	406478	"O" Ring (Viton)	1
135	402917	Seal	1
135	406092	Seal (Viton)	1

SOLENOID CONTROLLED DUAL PRESSURE COMPENSATOR



* Assemble Washer With Chamfer On I. D. Facing Seal

*Included In Viton Seal Kit 723666

COMPLETE ASSEMBLY

Seals	500 PSI	1000 PSI
Buna	722373	721246
Viton	721693	721693

Table #1
AC Solenoids

Complete Solenoid (128)	Coil Only (129)	AC Voltage
400991	401662	115/60
400992	401663	230/60
400993	401664	440/60
403158	403772	115/50
402953	403975	220/50
406030	404711	440/50
491650	490698	110/50
		120/60*

DC Solenoids

Complete Solenoid (128)	Coil Only (129)	DC Voltage
403223		12
402570		24
403006		125
402448	403479	250

*(3 Wire)

9 535 233 258
HPUS RSB 003/32 US (4.95)

ROBERT BOSCH FLUID POWER CORPORATION
P.O. BOX 2025
RACINE, WISCONSIN 53401-2025 U.S.A.
Phone (414)554-7100, Fax (414)554-7117



BOSCH