



BOSCH

REPAIR PARTS



VARIABLE VOLUME VANE PUMP SPRING COVERED

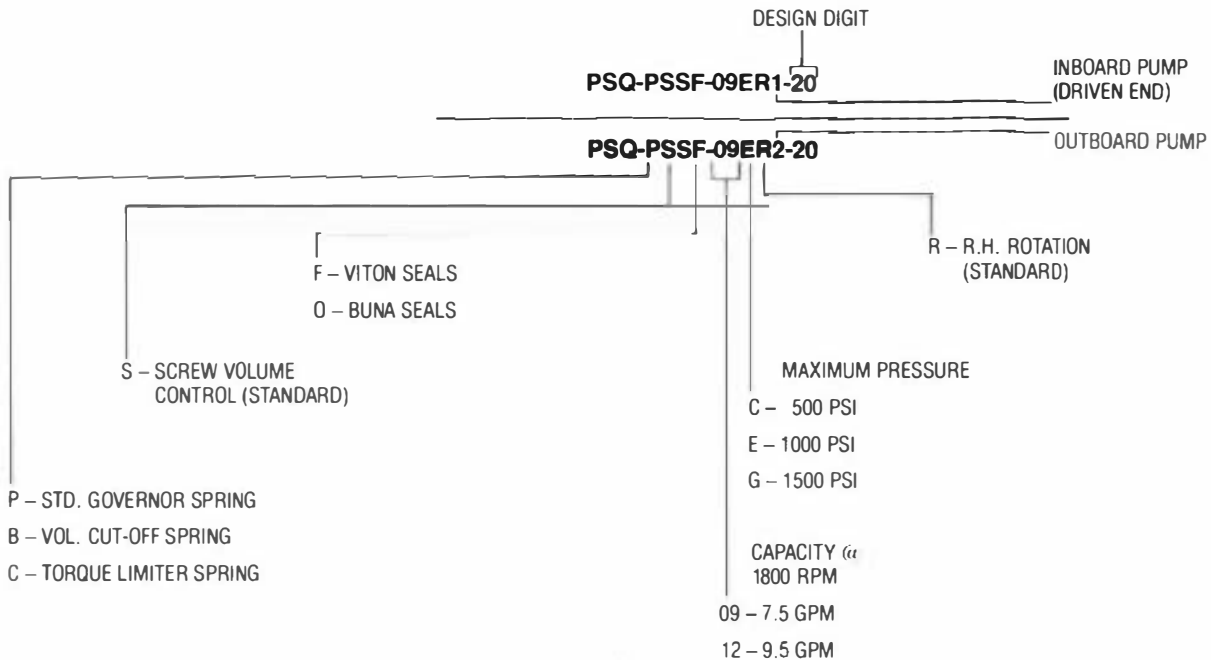
MODEL PSQ/PSQ (COMBINATION)	500 PSI
	1000 PSI
	1500 PSI
	7.5 GPM & 9.5 GPM

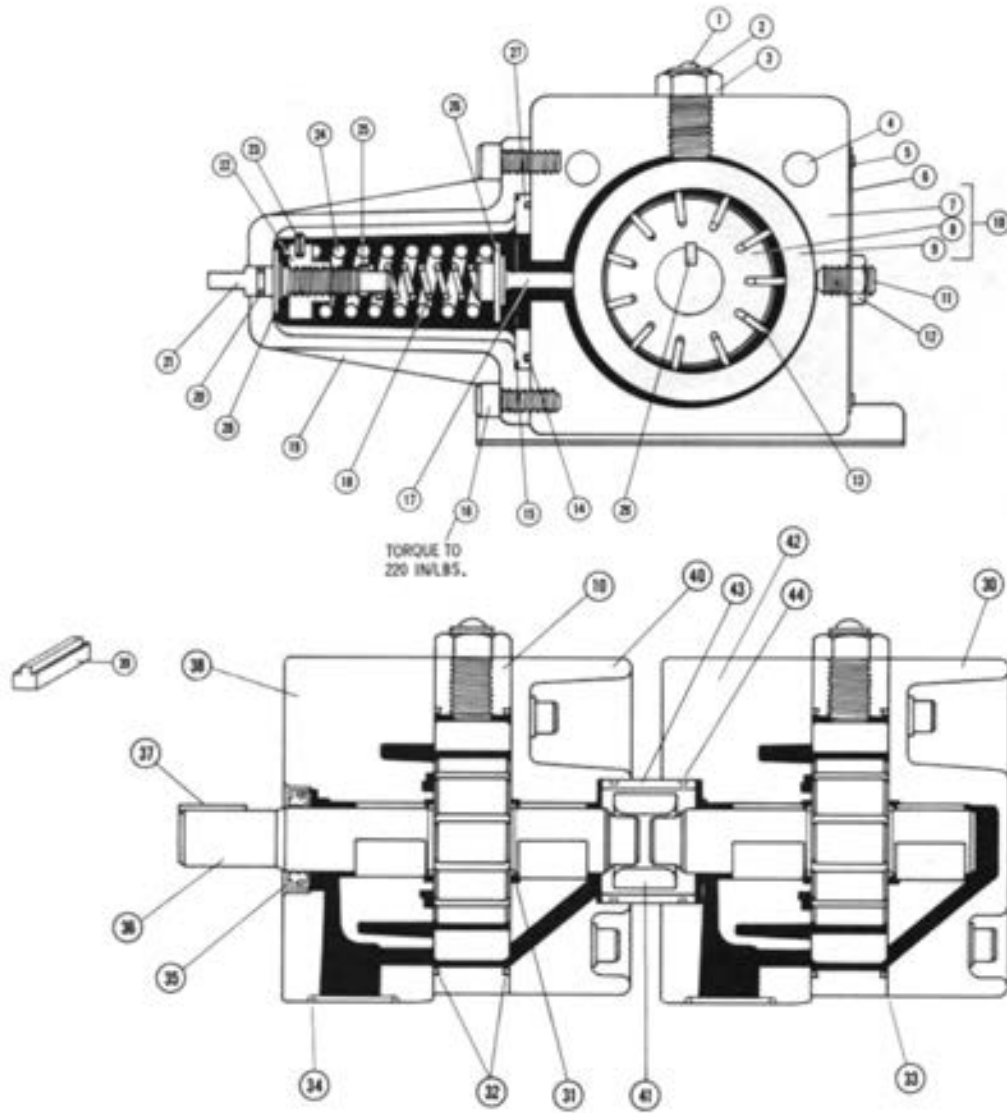
MANIFOLD MOUNTED

WHEN ORDERING PARTS, FURNISH:

1. COMPLETE CODE NUMBER
2. PARTS REQUIRED
3. SHIPPING INSTRUCTIONS

WRITE FACTORY FOR NEAREST AUTHORIZED PARTS AND SERVICE CENTER.





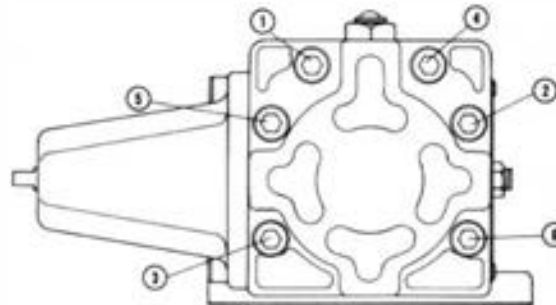
Ref. No.	Part No.	Description	Qty.
1	492440	Delrin Ball	2
2	309178	Thrust Screw	2
3	492439	Lock Nut	2
4	491842	Dowel Pin	4
5	491865	Rivet	4
6	492637	Nameplate	2
7	See	Center Body	2
8	Item	Rotor	2
9	#10	Pressure Ring	2
10	778544	Matched Rotating Group - 7.5 GPM	2
10	778545	Matched Rotating Group - 9.5 GPM	2
11	491845	Volume Control Screw	2
12	401011	Lock Nut	2
13	778277	Vane Set	2
14	407105	O-Ring, 1/16 x 1-1/2 x 1-5/8	2
15	406712	O-Ring, 3/32 x 1-11/16 x 1-7/8	2
16	400798	Screw, 5/16-18 x 3/4	4
17	309177	Steel Spring Seat	2
18	408706	Spring	2
19	222823	Governor Housing	2
20	406270	O-Ring, 1/16 x 1/4 x 3/8	2
21	309038	Adjusting Screw	2
22	309039	Adjustable Spring Seat	2
23	402265	Roll Pin	2
24	492469	Spring, Std. Governor	2
24	492500	Spring, 'B' Governor	2
24	492471	Spring, 'C' Governor	2

Ref. No.	Part No.	Description	Qty.
25	404864	Roll Pin	2
26	491872	Washer	2
27	222824	Seal Plate	2
28	492468	Thrust Washer	2
29	492155	Woodruff Key	2
30	725530	End Body Assy.	1
31	492150	Retaining Ring	4
32	492011	O-Ring, .070 x 3.30 x 3.44	4
33	491902	Shim (.0015)	2
*34	725559	O-Ring Kit	1
35	491867	Shaft Seal	1
36	309207	Keyed Shaft - Drive Pump	1
36	309206	Shaft - Rear Pump	1
37	492155	Key	1
38	725536	Front Body Assy.	1
39	492163	Key (Retrofit PSQ to PVQ)	1
40	725581	End Body Assy. (Inboard Pump)	1
41	222987	Coupling	1
42	725538	Front Body Assy. (Outboard Pump) 7.5 GPM	1
42	725541	Front Body Assy. (Outboard Pump) 9.5 GPM	1
43	308974	Coupling Sleeve	1
44	407105	O-Ring, 1/16 x 1-5/8 x 1-3/4	2

*Contains (6) 406555 O-ring 3/32 x 13/16 x 1 and Installation Page.

Viton Seal Kit #794426 includes shaft seal which is also part of body assembly. (2 kits are required.)
Buna Seal Kit not available.

TORQUE SEQUENCE



Notes: Bolt torquing must be done in sequence below to avoid damaging covers.

- (1) Torque sequence for Cap Screws:
 - (A) Torque 6 screws on rear cover to 50-100 in.-lbs. in numerical order as shown.
 - (B) Torque 6 screws on rear cover to 360 ± 40 in.-lbs. in numerical order as shown.
- (2) Prior to assembly, coat both faces of rotor with lubricant 492273 (STP)
- (3) 492440 ball is to be peened into socket after test, and thrust screw setting rechecked.

SUBPLATE MOUNTED

Ref. No.	Part No.	Description	Qty.
1,4	400814	Cap Screws	2
2,3,5,6	400807	Cap Screws	4

ROBERT BOSCH FLUID POWER CORPORATION
P.O. BOX 2025
RACINE, WISCONSIN 53401-2025 U.S.A.
Phone (414)554-7100, Fax (414)554-7117



BOSCH